

Tech Sheet: Aeromot Ximango AMT 100/200/300

(aeromot-XIM.pdf)

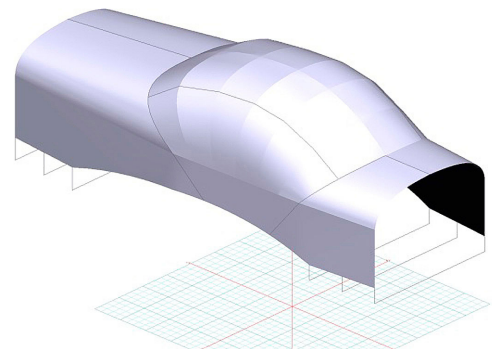


Aeromot Ximango Extended Canopy Cover, Engine, Prop & Wing Covers

Section 1: Glider Canopy/Cockpit/Fuselage Covers



Grob 109 Canopy Cover



Ximango Canopy Cover (3D model)

| Description | Part Number | Price |
|---------------------|----------------|-----------------|
| CANOPY COVER | XIM-000 | \$690.00 |
| CANOPY/ENGINE COVER | XIM-005 | \$770.00 |

| | | |
|--|----------------|------------------|
| EXTENDED CANOPY/ENGINE COVER, with extension to tail | XIM-010 | \$1185.00 |
| EXTENDED CANOPY COVER | XIM-011 | \$835.00 |
| EXTENDED CANOPY/ENGINE COVER | XIM-012 | \$980.00 |

Section 2: Engine Covers



Aeromot Ximango Extended Canopy Cover, Engine, Prop & Wing Covers



Aeromot Ximango Extended Canopy Cover, Engine, Prop & Wing Covers

| Description | Part Number | Price |
|--|----------------|-----------------|
| ENGINE COVER | XIM-110 | \$470.00 |
| INSULATED ENGINE COVER | XIM-115 | \$655.00 |
| PROPELLOR/SPINNER COVER, 2 Blade | XIM-120 | \$300.00 |
| INSULATED PROPELLOR/SPINNER COVER, 2 Blade | XIM-125 | \$450.00 |
| INSULATED HANGAR BLANKET, INTERIOR USE | XIM-HB2 | \$300.00 |

Section 4: Glider Wing/Tail/Empennage Covers

All Weather Wing Covers are a perfect solution to protect your paint from sun damage and prevent winter frost, snow, ice buildup, and corrosion. They are made from Solution-Dyed Polyester or Acrylic *Sunbrella* and form-fit to slip around each wing tip, cover the entire upper surface of the wing and wrap around the leading and trailing edges. The covers secure under the wing with adjustable straps from the trailing edge to the leading edge. The wing covers can also attach to each other with adjustable straps at the leading and trailing edges of the wing under the belly of the plane. Wing covers are labeled LEFT and RIGHT for installation convenience. Wing Covers are available for travel use or long-term, all year use.

ALL-YEAR USE MATERIAL - Made with Silver Acrylic Sunbrella canvas, the all-year use material is the best option for sun protection and cover longevity. This heavier more durable material is intended for all weather conditions, such as rain and snow or lots of sun.

WINTER USE MATERIAL - Made with Solution-Dyed Polyester fabric, this option is intended for seasonal use to aid in deicing, rain mitigation, or for occasional travel. The material is lighter and more compact, but more susceptible to UV damage and may have a shorter useful life if used continuously outside than the all-year use material.

All Weather Horizontal Stabilizer Covers are a perfect solution to protect your paint from sun damage and prevent frost, snow, ice buildup, and corrosion. They are made from Solution-Dyed Polyester or Acrylic *Sunbrella*. They cover the entire upper surface of the stabilizers and overlap around the leading and trailing edges as well as the wing tip. The covers secure under each stabilizer

with adjustable straps. In some instances, cut-outs are made in the trailing edge of the wing covers to accommodate static wicks. Horizontal Stabilizer Covers are available for winter use or long-term all year use, and are normally made from Solution-Dyed Polyester or Acrylic *Sunbrella*. A Hail Protection version can be made which incorporates dense closed cell foam into the entire upper surface of the wing covers to help prevent hail damage. Although these covers are bulky, they do help protect your wing and control surfaces against small to medium-size hail.

ALL-YEAR USE MATERIAL - Made with Silver Acrylic Sunbrella canvas, the all-year use material is the best option for sun protection and cover longevity. This heavier more durable material is intended for all weather conditions, such as rain and snow or lots of sun.

WINTER USE MATERIAL - Made with Solution-Dyed Polyester fabric, this option is intended for seasonal use to aid in deicing, rain mitigation, or for occasional travel. The material is lighter and more compact, but more susceptible to UV damage and may have a shorter useful life if used continuously outside than the all-year use material.

The **Aeromot Ximango AMT 100/200/300 Empennage Cover** is a complete, one-piece cover which covers both the vertical and horizontal stabilizers, as well as the tailboom. It is normally made from *Solution-Dyed Polyester* or *Acrylic Sunbrella*. The cover attaches with adjustable straps underneath the belly. The cover is pulled back over the vertical stabilizer and a plastic all-weather zipper is closed at the trailing edge of the rudder. The cover is then stretched over the elevators and zippered closed along the bottom outboard elevator surfaces. The covers cinch under the horizontal stabilizers using adjustable straps. All antennas, beacons and static wicks, if applicable, are accounted for in the design.

ALL-YEAR USE MATERIAL - Made with Silver Acrylic Sunbrella canvas, the all-year use material is the best option for sun protection and cover longevity. This heavier more durable material is intended for all weather conditions, such as rain and snow or lots of sun.

WINTER USE MATERIAL - Made with Solution-Dyed Polyester fabric, this option is intended for seasonal use to aid in deicing, rain mitigation, or for occasional travel. The material is lighter and more compact, but more susceptible to UV damage and may have a shorter useful life if used continuously outside than the all-year use material.



Grob 109 Canopy/Engine w/ extension to tail, Wing, Stabilizer & Prop/Spinner Covers



Aeromot Ximango Extended Canopy Cover, Engine, Prop & Wing Covers

| Description | Part Number | Price |
|---|----------------|------------------|
| WING COVERS (A-MODEL), WINTER USE (set of 2) | XIM-200 | \$845.00 |
| WING COVERS (A-MODEL), ALL YEAR USE (set of 2) | XIM-205 | \$1100.00 |
| HORIZONTAL STABILIZER COVER (A-MODEL), WINTER USE | XIM-300 | \$285.00 |
| HORIZONTAL STABILIZER COVER (A-MODEL), ALL YEAR USE | XIM-305 | \$365.00 |
| EMPENNAGE COVER (Tailboom, Vertical & Horiz Stabilizers) SET, WINTER USE (set of 2) | XIM-400 | \$905.00 |
| EMPENNAGE COVER (Tailboom, Vertical & Horiz Stabilizers) SET, ALL YEAR USE (set of 2) | XIM-405 | \$1180.00 |

Section 7: Light Weight Products: Travel Covers and FlyAway Covers



Ximango Travel Weight Canopy/Engine Cover



Ximango AMT Light Weight Travel Canopy/Engine Cover

| Description | Part Number | Price |
|---|----------------|-----------------|
| TRAVEL COVER, Light Weight Canopy Cover | XIM-800 | \$545.00 |
| TRAVEL COVER, Light Weight Travel Canopy/Engine Cover | XIM-810 | \$625.00 |

Section 10: Inside the Hangar

Designed to prevent damage to the wingtip in crowded hangars or high traffic areas, these products are made of bright red Naugahyde and thickly padded with a sandwich of closed cell foam. Protects delicate winglets, casters and their housings, and soft finishes.



Schempp-Hirth Ventus-2B winglet/wingtip pads



Schleicher ASH Wingtip Pads

| Description | Part Number | Price |
|-------------------------|----------------|-----------------|
| WINGTIP PADS (set of 2) | XIM-280 | \$255.00 |

Prices subject to change. Other Covers and Design Alterations: Prices on request.
Prices are FOB Morgan Hill, CA. Sales tax on orders shipped to California addresses. Orders take approximately 3 weeks to complete. For domestic orders we normally ship by UPS ground service. Next day shipping and air parcel post is available on request. We can take payment by Visa, Mastercard, American Express, or Discover.

Bruce's Custom Covers offers protective covers and plugs for virtually every type of airplane, jet and helicopter. If you

Instructions: Measure to the nearest 1/8" and only fill in what applies. You may email, fax or phone in the measurements.

Aircraft Reg / Tail Number: _____ Aircraft Type: _____ Year: _____
 Name: _____ Phone & Email: _____

Propellor Measurements

| Please check one: | 2 - Blade | 3 - Blade | 4 - Blade |
|--|-----------|-----------|-----------|
| A Measure along surface of cone | | | |
| B Measure "straight line" base to tip | | | |
| C Base to top of blade root opening | | | |
| D Provide diameter or circumference | | | |
| E Provide diameter or circumference | | | |
| F Blade root to prop tip | | | |
| G Trailing edge to leading edge | | | |
| H Trailing edge to leading edge | | | |
| J Trailing edge to leading edge | | | |



Aircraft Cover Ordering Form

| | |
|---------------|--|
| Customer Info | Name _____ |
| | Shipping Address _____ _____ |
| | Phone & Email _____ |
| Payment | Credit Card Number <input type="text"/> <input type="text"/> <input type="text"/> <input type="text"/> <input type="text"/> <input type="text"/> <input type="text"/> <input type="text"/> <input type="text"/> <input type="text"/> <input type="text"/> <input type="text"/> <input type="text"/> <input type="text"/> <input type="text"/> <input type="text"/> <input type="text"/> <input type="text"/> |
| | Exp. Date <input type="text"/> <input type="text"/> / <input type="text"/> <input type="text"/> V-Code* <input type="text"/> <input type="text"/> <input type="text"/> <input type="text"/> |
| | <small>*Visa, Mastercard, Discover: last 3 numbers on back of card, right of signature. Amex: 4 smaller numbers printed on face of card.</small> |
| A/C Info | Reg / Tail Number: _____ Aircraft Type: _____ Year: _____ |
| | Colors / Paint Scheme (be specific): _____ |

Please specify below the items you would like to order.

See technical sheet or visit our website for part numbers (or just fill in the description)

| | Part Number | Quant | Description | Price |
|----|-------------|-------|-------------|-------|
| 1 | | | | |
| 2 | | | | |
| 3 | | | | |
| 4 | | | | |
| 5 | | | | |
| 6 | | | | |
| 7 | | | | |
| 8 | | | | |
| 9 | | | | |
| 10 | | | | |
| | | | | TOTAL |

Optional Items (check the box of the item you want)

- Imprint aircraft registration number onto both sides of canopy cover.....\$30.00
- Imprint aircraft registration number onto Jet intake covers.....\$50.00